

Coaxial Plug WBT-0201

Coax socket for cabinet mounting, *soldered version*
DBGM no. 8527598 and int. reg. design by WBT

1. Mechanics

- single-segment, low-tolerance contact elements (tol. less than ± 0.02 mm)
- external socket with solder lugs machined from basic element
- internal socket, exactly centered: WBT active spring contact consisting of 8-slit solid part with double-wrap beryllium spring lock washer, large spring travel for constant contact pressure even if counterpieces are imprecisely worked.

2. Materials

- all solid parts made of highly ductile OFC copper alloy
 - internal insulating material: precision-turned Teflon* part
 - external insulating material: polyamide 6
 - surfaces: WBT 24 carat gold-plating,
non-ferromagnetic:
- | | |
|-----------------|-----------|
| Duplex Cu, | 11 μ |
| electroless Ni, | 4 μ |
| Duplex Au, | 0.3 μ |

3. Operating characteristics (reliably observed after more than 10^3 connections/disconnections)

- constant current $I_D > 40$ A
- contact resistance $R_{\dot{U}} \leq 0.1$ mohms (loop, measured with WBT-0108)
- volume resistance $R_B \leq 0.05$ mohms
- insulation resistance $R_{iso} < 10^{10}$ ohms
- surge impedance (projective) $Z = 16$ ohms

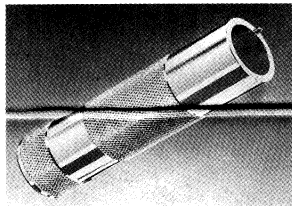
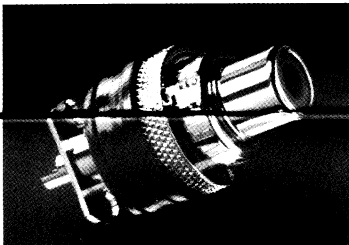
4. Terminals

- solder-type, for cables up to 2.5 mm²

5. Mounting

- problem-free by hand using the knurled nut
- for series processing, we recommend the special mandrel tool WBT-0299
- recommended distance of two socket centers: 17.78 mm = $7/10$ inch (standard)

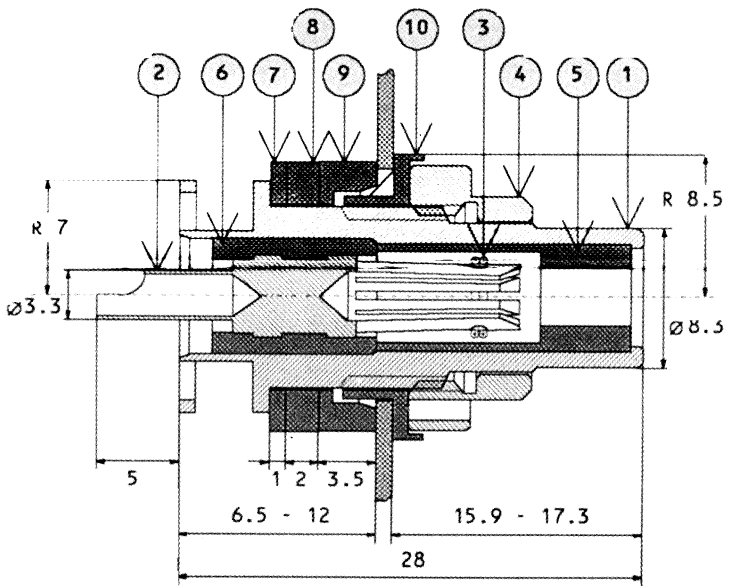
*Teflon is a registered trademark of Du Pont



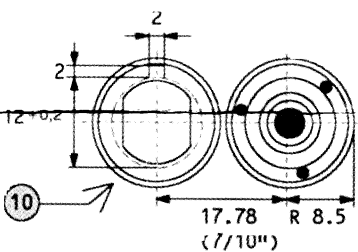
special mandrel tool WBT-0299

①	Base element	1
②	Internal socket, with <i>WBT active spring contact</i>	1
③	Double-wrap spring lock washer, beryllium	1
④	3-hole-counternut	1
⑤	Internal insulation, Teflon*, red & white	1
⑥	Internal insulation, Teflon*	1
⑦	Spacer washer, 1 mm, PA	1
⑧	Spacer washer, 2 mm, PA	1
⑨	Stepp washer, 3.5 mm, PA	1
⑩	Stepp washer, 4.6 mm, PA red & white, with flate hole and tappet	1

all dimensions in mm



Cabinet wall: 0.1 - 4.2 mm



original size

Standard rights reserved regarding instructions and technical modifications.
 Design and specifications subject to change without notice.
 © WBT GmbH • Hatzper Str. 125 • D-45149 Essen • Germany
 Tel. 02 01-87 102-0 • Fax -22